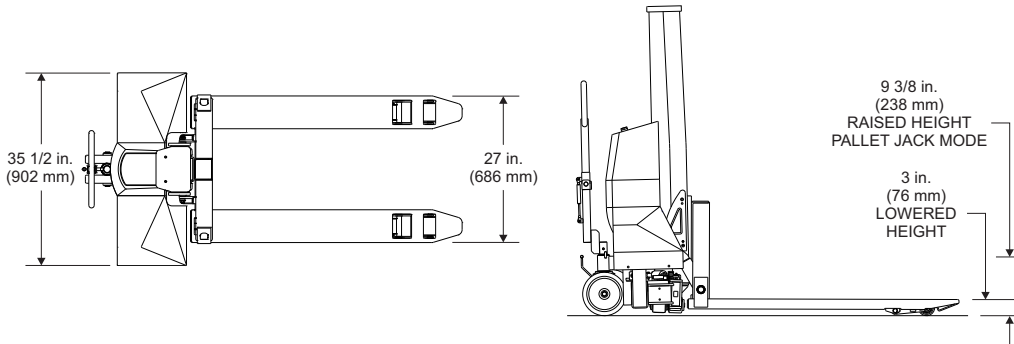
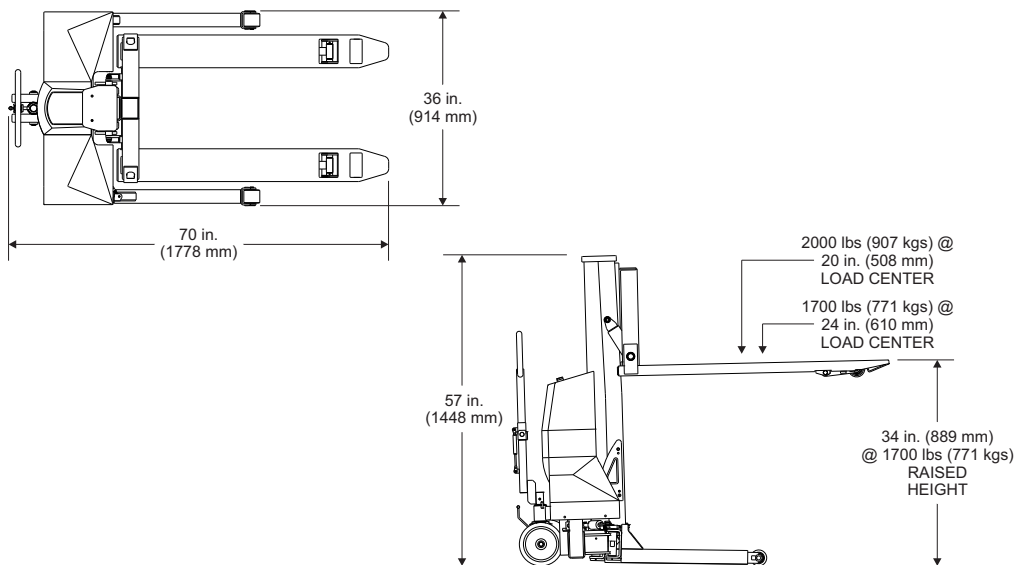


UNI-20 (pallet jack mode)



UNI-20 (high lift mode)



Standard Features:

- Can be used with standard GMA pallets and/or skids
- Dual-purpose product allows for both transport and load positioning
- Handles and steers like a standard pallet jack
- Lifting fork height up to 34"
- Lift capacity of 2000# (see chart)
- On-board, automatic battery charger
- Efficient 24 VDC battery system powers lift operation
- Electro-mechanical outrigger actuation with position sensors
- Electronic operator console with "Raise" and "Lower" push buttons, dual function key / battery disconnect switch, outrigger position LEDs and battery status LED
- 8" diameter polyurethane steering wheels
- 3" diameter polyurethane load wheels
- Durable powder coated finish

UniLift				
Model	Pallet Jack Mode Capacity (lbs)	High Lift Mode Capacity 20" Load Center (lbs)	High Lift Mode Capacity 24" Load Center (lbs)	Approximate Shipping Weight (lbs)
UNI-20	2,000	2,000	1700	750

INCREASING YOUR PRODUCTIVITY

DACO

MATERIAL HANDLING & PACKAGING SOLUTIONS

www.DACOcorp.com

800-345-3226



Bishamon Industries Corporation

5651 East Francis Street
Ontario, California 91761-3601

(909) 390-0055 • (800) 358-8833
Fax (909) 390-0060

www.bishamon.com