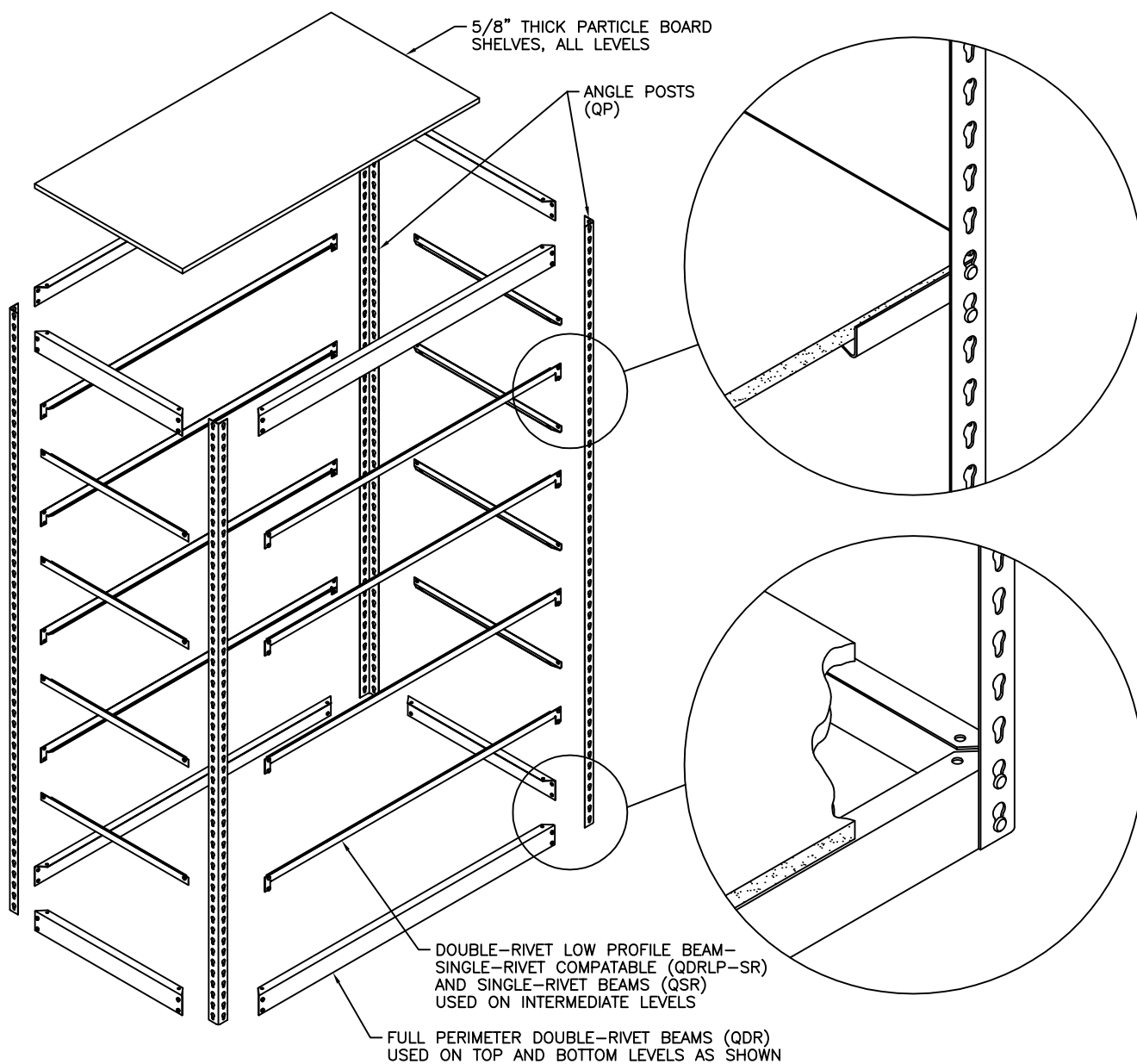


- ASSEMBLY NOTES:
- 1) DOUBLE-RIVET BEAMS ARE HAMMERED INTO POSTS AT TOP AND BOTTOM OF UNIT FOR RIGIDITY. USE THREE LEVELS OF QDR'S ON UNITS 10' TALL AND OVER.
 - 2) SINGLE-RIVET BEAMS (QSR) SUPPORT INTERMEDIATE SHELVES.
 - 3) T-POSTS (QTP) JOIN UNITS IN A CONTINUOUS ROW. ANGLE POSTS (QP) USED AT END OF EACH ROW.
 - 4) ALLOW FOR 3/4" GROWTH IN WIDTH AND A 1/2" GROWTH IN DEPTH FOR EACH UNIT. (FOR EXAMPLE: IF YOU ORDER 48" WIDE X 24" DEEP UNITS, THE ACTUAL DIMENSIONS WILL BE 48 3/4" WIDE X 24 1/2" DEEP.)
 - 5) UNITS 24" DEEP OR LESS DO NOT REQUIRE INTERMEDIATE BEAMS RUNNING FRONT TO BACK.

This is a Standard duty starter unit with 5 shelves



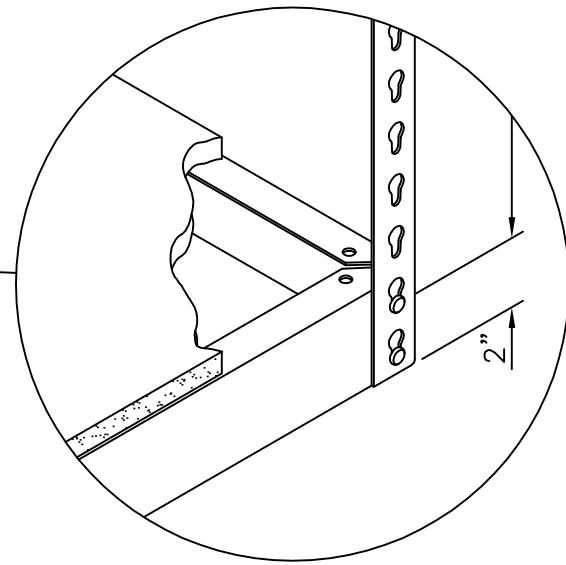
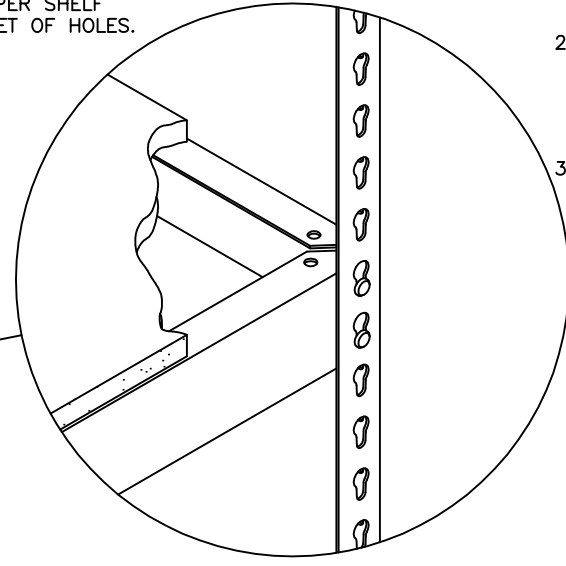
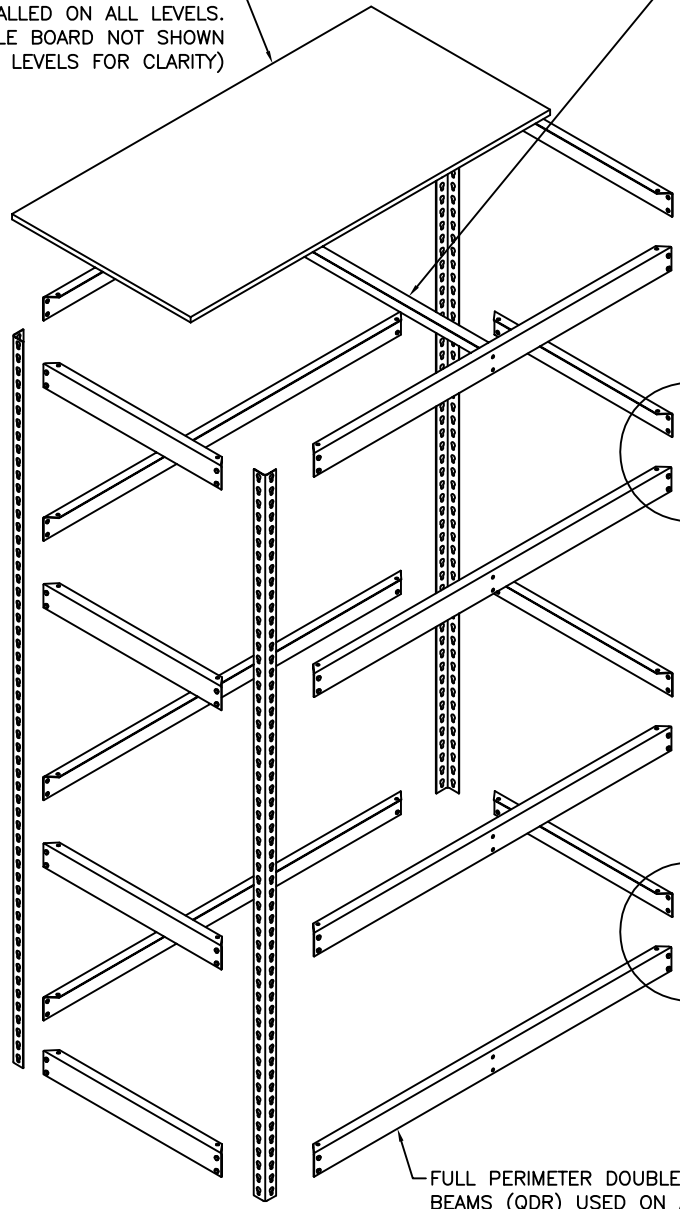
- ASSEMBLY NOTES:
- 1) DOUBLE-RIVET BEAMS ARE HAMMERED INTO POSTS AT TOP AND BOTTOM OF UNIT FOR RIGIDITY. USE 3 LEVELS OF QDR'S ON UNITS 10 FEET TALL AND OVER.
 - 2) DOUBLE-RIVET LOW PROFILE BEAMS — SINGLE-RIVET COMPATABLE (QDRLP-SR) SUPPORT INTERMEDIATE SHELVES.
 - 3) T-POSTS (QTP) JOIN UNITS IN A CONTINUOUS ROW. ANGLE POSTS (QP) USED AT END OF EACH ROW.
 - 4) ALLOW FOR 3/4" GROWTH IN WIDTH AND A 1/2" GROWTH IN DEPTH FOR EACH UNIT. (FOR EXAMPLE: IF YOU ORDER 48" WIDE X 24" DEEP UNITS, THE ACTUAL DIMENSIONS WILL BE 48 3/4" WIDE X 24 1/2" DEEP.)
 - 5) BEAMS ON SIDES OF UNIT MAY BE SINGLE-RIVET BEAMS (QSR) ON UNITS 24" IN DEPTH OR LESS

This is a Medium duty starter unit with 6 shelves

5/8" THICK PARTICLE BOARD (QPB) INSTALLED ON ALL LEVELS. (PARTICLE BOARD NOT SHOWN ON OTHER LEVELS FOR CLARITY)

BEAM TIE SHELF SUPPORTS (QBT) ARE ONLY PROVIDED WHEN NECESSARY AND ARE NOT REQUIRED WITH MOST UNITS. WHEN PROVIDED, INSTALL 1 BEAM TIE PER SHELF IN CENTER SET OF HOLES.

- ASSEMBLY NOTES:
- 1) DOUBLE-RIVET BEAMS ARE HAMMERED INTO POSTS AT TOP AND BOTTOM OF UNIT FOR RIGIDITY.
 - 2) T-POSTS (QTP) JOIN UNITS IN A CONTINUOUS ROW. ANGLE POSTS (QP) USED AT END OF EACH ROW.
 - 3) ALLOW FOR 3/4" GROWTH IN WIDTH AND A 1/2" GROWTH IN DEPTH FOR EACH UNIT. (FOR EXAMPLE: IF YOU ORDER 48" WIDE X 24" DEEP UNITS, THE ACTUAL DIMENSIONS WILL BE 48 3/4" WIDE X 24 1/2" DEEP.)



FULL PERIMETER DOUBLE-RIVET BEAMS (QDR) USED ON ALL LEVELS

This is a Heavy duty starter unit with 4 shelves