



PALLET MULE

RELIABLE PRODUCTS AND SERVICE



STANDARD 2.9"

- Extensive use of ductile cast iron part
- Heavy 7 gauge steel in major structural components
- Solid steel push rods instead of the standard tubular steel design
- Premium polyurethane wheels on an aluminum core
- Sealed bearings provide reduced rolling resistance and longer life
- Standard 2.9" lowered height to fit industry standard pallets



PALLET MULE Standard Pallet Jacks are the right choice for high usage, mission critical operations where down-time can be very costly because it has been known for over fifty years for its durability, reliable performance and its low long term cost of ownership.

Pallet Mule All American Pallet Jacks are built heavier and more durable than the lower cost import pallet jacks to withstand the demands of continuous daily use. They are designed and built to perform safely and consistently all day every day and are supported by the most professional service and support in the industry. Don't just settle for any pallet jack!

Wesley International
3680 Chestnut Street
Scottsdale, GA 30079

BY
WESLEY
INTERNATIONAL

Sales: 800-241-2869
Fax: 404-292-8469
sales@wesleyintl.com
www.wesleyinternational.com



PALLET MULE

RELIABLE PRODUCTS AND SERVICE



**BUILT IN THE
USA**

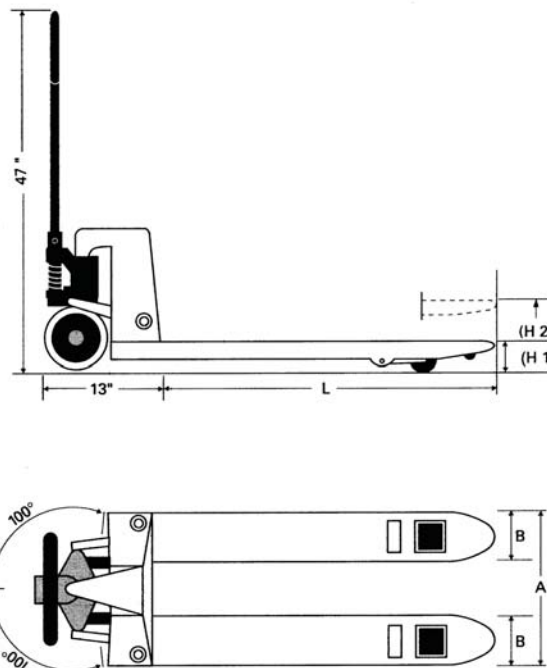
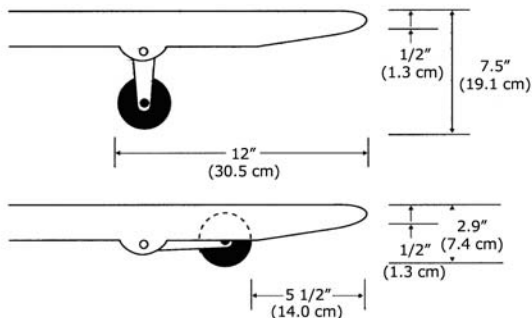
Ideal For Use in Non-standard Pallets,
Warped Or Bowed Pallets or Wherever
You Do Not Have Adequate Clearance



2.9" LOWERED HEIGHT PALLET MULES 5000# (2,272.7 kg)

Load Capacity	5000# (2,272.7 kg)
Fork Heights: Lowered (H 1)	2.9" (7.4 cm)
Raised (H 2)	7.5" (19.1 cm)
Standard Widths Across Forks (A)	27", 21" (68.6 cm, 53.3 cm)
Fork Width (B)	6 1/4" (15.9 cm)
Standard Fork Lengths (L)	48", 42", 36" (121.9 cm, 106.7 cm, 91.4 cm)
Load Wheels	2 7/8" X 4 (7.3 cm X 10.2 cm)
Steer Wheels	7 1/4" X 2 (18.4 X 5.1 cm)
Wheel Material	Polyurethane
Approximate Weight	5000# Unit, (2,272.7 kg) 195# (88.6 kg)

Special Sizes Available



Wesley International
3680 Chestnut Street
Scottsdale, GA 30079

BY
WESLEY
INTERNATIONAL



800-345-3226
www.dacocorp.com