

■ **EXCEPTIONALLY FAST**

Two doors in one, high speed for quick access and high strength for security. Opening speeds of up to 42" per second. Adjustable closing speeds. Optional two-speed motor.

■ **ULTIMATE DURABILITY**

The 109-LP's electric direct drive operator is designed to ensure speed and long life. Rigid unitized, interlocking slats have an anodized aluminum exterior, shock absorbing PVC interior surface, dense polyurethane foam insulation, and nylon windlocks and wind guides. Side guides are lined with high density PVC eliminating metal-to-metal contact with slats. No need for roller wheels and other high wear, high maintenance parts.

■ **MAXIMUM SECURITY**

Marathon's 109 series, rigid roll-up doors are ideal for any area requiring high security. With operating speeds of up to 42" per second, a rigid interlocking slat design and reliable operation in the highest cycle applications, 109 series doors provide the ultimate in protection for your facility.

■ **ENERGY EFFICIENT**

Maintaining climate control and reducing energy costs in any facility can be a major challenge. The 109-LP's insulated slat package and high speed operation, will significantly lessen air exchange and reduce energy consumption.

■ **INNOVATIVE DESIGN**

With its low profile header and side guides, and electric direct drive operator that can be mounted in a variety of configurations, the 109-LP is ideal for applications with limited headroom and tight side clearances. The curved panel profile, allows the door to roll into a space saving, compact drum.

■ **CUSTOM SYSTEMS**

Marathon door systems are designed and precision manufactured at our corporate location in Milwaukee, Wisconsin. This means we are able to handle custom requests and suit almost any application. Whether it is a custom color, a special window configuration, activation requirement or, a size that defies standard offerings, we can build a door that will compliment your building's design.

MODEL 109-LP

High Speed - Low Profile

High Performance Rigid Roll-Up Door

MODEL 109-LP DIRECT DRIVE



Innovative Design. Superior Performance. Exceptional Value.

MARATHON HIGH SPEED, HIGH CYCLE DOORS, DESIGNED FOR THE LONG RUN.

Marathon rigid roll-up doors are designed to provide high speed operation, high cycle life and minimal maintenance for outstanding security and performance.

Featuring an innovative design that eliminates the need for roller wheels, belts, cables, extension springs and other costly, high wear, moving parts, Marathon's 109 series doors provide worry-free operation.

With its curved panel profile and low profile header, the 109-LP is ideal for applications with limited headroom and tight side clearances. High speed operation helps control vehicle and pedestrian access, increasing overall security. Reliable operation means lower maintenance costs and greater performance.

Marathon: higher security, lower operational costs, greater value.

HIGH PERFORMANCE DOORS FOR THE LONG RUN

Marathon | A Division of ASI Doors, Inc.
5848 North 95th Court | Milwaukee, WI 53225
PHONE: 414.464.6200 | FAX: 414.464.9863 | TOLL-FREE: 800.558.7068
www.marathonddoors.com

MODEL 109-LP

High Speed - Low Profile
High Performance Rigid Roll-Up Door
MODEL 109-LP DIRECT DRIVE

DESIGN AND CONSTRUCTION

DOOR SIZES

- Consult factory.

PANEL CONSTRUCTION

- High density foam in place insulated slats with a "K" factor of .12 at 75°.

OPERATION

- PLC control panel.
- 2-speed operation.
open - up to 42"/sec.
Adjustable closing speed.
- High output electric direct drive 3 h.p. totally enclosed motor available.
- NEMA 4 fiberglass control box.

PERFORMANCE FEATURES (POWER MODELS)

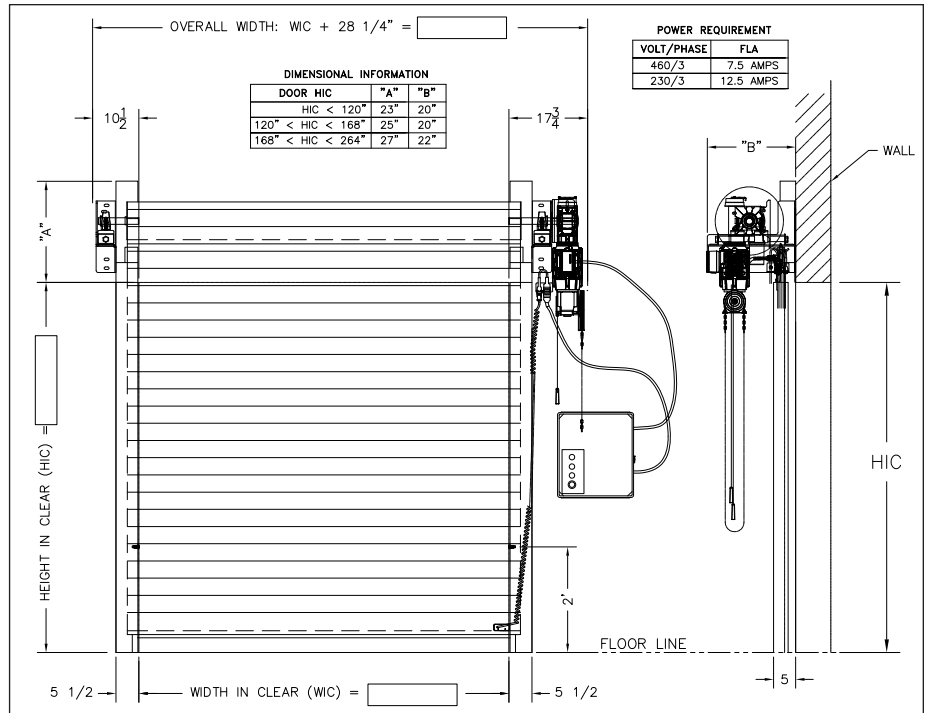
- Reversing edge for instant stop/reverse.
- Send and receive reversing photoeye.

WARRANTY

- One year limited warranty.

OPTIONS

- Rigid, non-insulated anodized aluminum slats.
- Light Screen.
- Activation Devices:
Pull Cord.
Single Push Button.
Photoeye.
Radio Control.
Loop Detector.
Pre-announce to close kit (light or alarm/or combo).
Motion Detector.
- Adjustable time delay close with auto close feature.
- Custom operator location available.
- Window slats in 4 slat increments.
(Custom configurations available.)
- Operator and barrel shrouds.
- Custom colors.



Standard dimensions shown. For tighter clearances, consult factory.



PROGRAMMABLE LOGIC CONTROL SYSTEM

Allows interface with building security systems.



OPTIONAL ACRYLIC VISION SLAT PACKAGES

Available in a variety of custom configurations.



INTERLOCKING SLAT DESIGN

Eliminates the need for brackets and seals between slats.



DENSE POLYURETHANE FOAM INSULATION

Seals out winter cold and summer heat.

HIGH PERFORMANCE DOORS FOR THE LONG RUN