



# IBC Specification Sheet

## 751180




Rev A

01/12/17

Specification/Product Code #: **751180**

Customer Part #: **TBD**

Product Description: **3 ply, 3.2 mil (PPP) Form Fit, 2" BSP fill, 2" BSP dispense with membrane and cutter.**

-  = FILL
-  = DISPENSE
-  = LABEL

Inside Seal Dimensions: **48" x 45" x 48"**

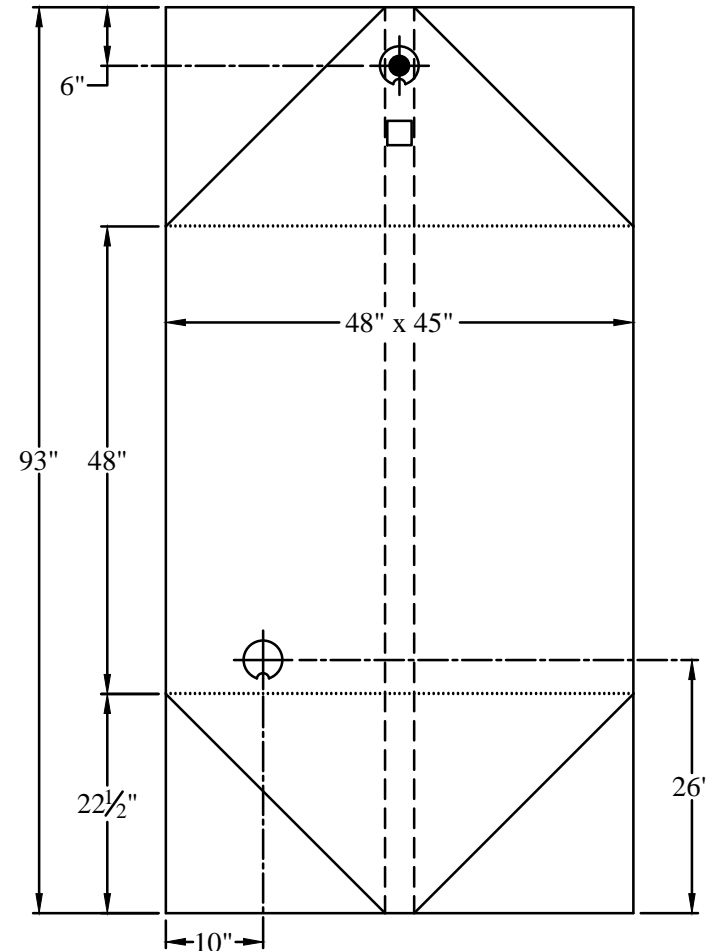
Film Construction:

- ▶ Inner Ply: **3.2 mil mLLDPE**
- ▶ Middle Ply: **3.2 mil mLLDPE**
- ▶ Outer Ply: **3.2 mil mLLDPE (Nylon on Fitment Panel)**

Packaging:

- ▶ Liners per Box: **18**
- ▶ Box Weight: **123 lbs**
- ▶ Boxes per Pallet: **4**
- ▶ Fold Type: **M09-47 (Fan Fold)**

Fitments	Gland	Plug	Production #
Fill	<b>2" BSP (IC-2018)</b>	<b>2" BSP (IC-2009)</b>	<b>SA0032</b>
Dispense	<b>2" BSP (IC-2018) w/ membrane &amp; cutter(IC-2055)</b>	<b>2" BSP (IC-2009)</b>	<b>SA0035</b>



**ALL TOLERANCES ARE (+/- 1/2"), DIMENSIONS ARE INSIDE SEAL TO SEAL, SHOWN FILL & DISPENSE UP.**

Oxygen Transmission Rate:

Film: **N/A**

Fitment: **N/A**

Maximum Filling Temperature: **190°**

CDF warrants that its products will be free from defects in material and workmanship for one-hundred eighty (180) days after the date of delivery. Warranty claims must be made in writing no later than five (5) business days after the expiration of the warranty period. CDF's obligations under this warranty are limited solely to replacement of such products as are proven to be defective after CDF's inspection. **Prior to use, the user shall independently determine the suitability of the products for the user's intended use and user assumes all risk and liability whatsoever in connection therewith. CDF products are intended for single use application. Any reuse of the liner and/or fitment voids this warranty.**

CDF EXPRESSLY DISCLAIMS AND EXCLUDES ANY AND ALL WARRANTIES, EXPRESSED OR IMPLIED, INCLUDING BUT NOT LIMITED TO IMPLIED WARRANTIES OF MERCHANTABILITY AND FITNESS FOR A PARTICULAR PURPOSE RELATING TO THE USE OR PERFORMANCE OF CDF PRODUCTS. CDF SHALL NOT BE LIABLE FOR PERSONAL INJURY OR PROPERTY DAMAGE UNLESS CAUSED SOLELY BY CDF'S NEGLIGENCE. CDF SHALL NOT BE LIABLE FOR LOSS OF PROFIT OR OTHER SPECIAL, INDIRECT, INCIDENTAL OR CONSEQUENTIAL DAMAGES ARISING OUT OF THE USE OF CDF PRODUCTS, REGARDLESS OF THE LEGAL THEORY ON WHICH THE CLAIM IS BASED AND EVEN IF CDF HAS BEEN ADVISED OF THE POSSIBILITY OF SUCH DAMAGES.