

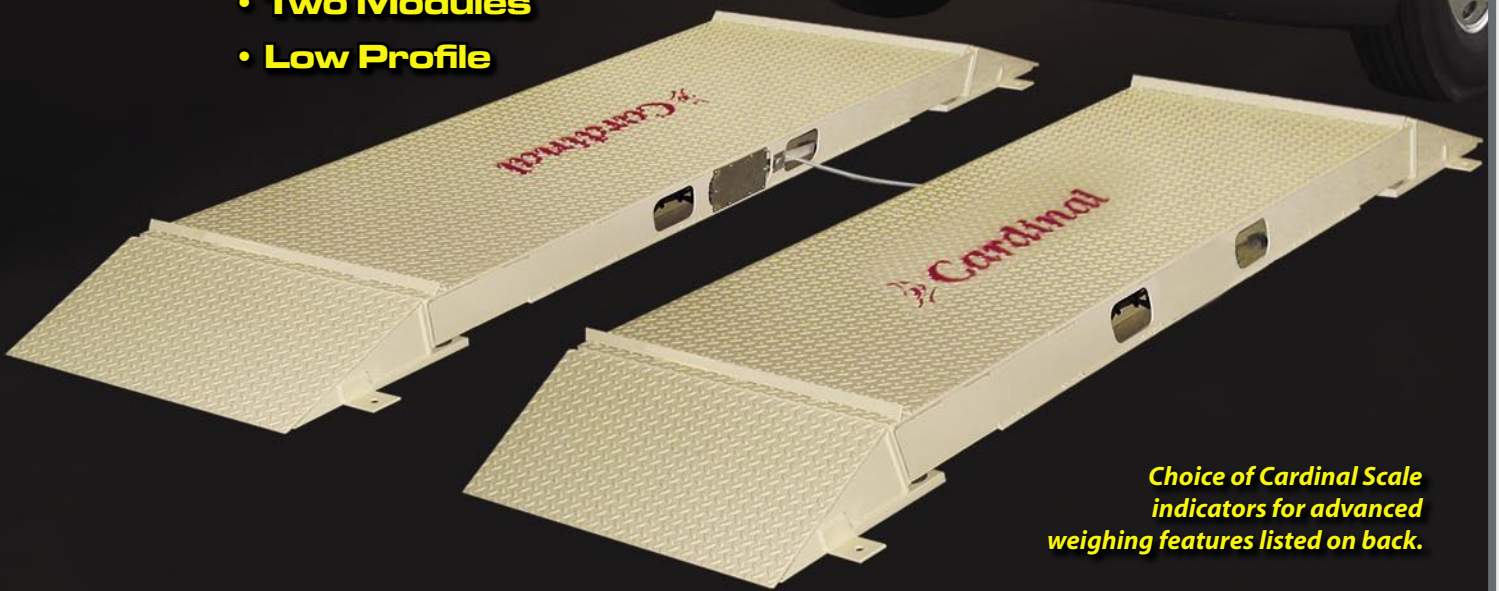


Portable Electronic AXLE LOAD SCALES

Models 760PS and 760PA

**The performance you need,
where you need it,
and when you need it!**

- **American Made**
- **High Strength**
- **Two Modules**
- **Low Profile**



**Choice of Cardinal Scale
indicators for advanced
weighing features listed on back.**

Cardinal Scale's completely portable, two-module axle load scale is relatively lightweight for a truck scale (only 400 lbs per aluminum platform), but can handle the real heavyweights (60,000 lb capacity).

Each 760 series scale comes complete with either steel or aluminum platforms, NEMA 4 junction box, environmentally-protected load cells, and four access ramps.

Portable Electronic AXLE LOAD SCALES

Models 760PS and 760PA

Your choice of aluminum or steel platforms.



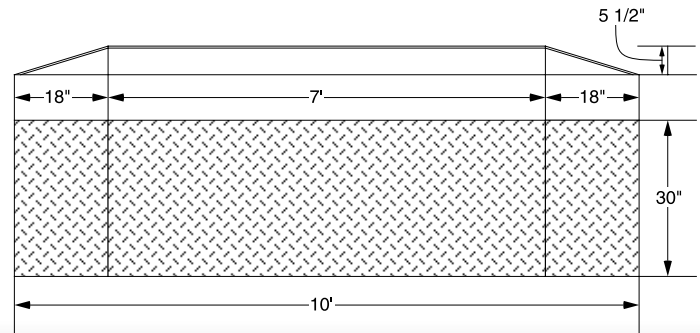
- Two (2) each platforms with 2 ramps each (total of 4 ramps).
- Axle capacity for tandem platforms: 60,000 lbs.
- Stainless steel, environmentally-protected USA-made load cells.
- Weighbridge size: 7 ft. L x 30 in. W x 5.5 in. H.
- Overall dimensions with ramps: 10 ft. L x 30 in. W x 5.5 in. H.

Durable checkered steel deck construction

60,000 lb x 50 lb graduations (for portable installations)
- or -
60,000 lb x 20 lb graduations (for permanent installations)

AXLE LOAD SCALE SPECIFICATIONS

MODEL	NOMINAL CAPACITY	PLATFORM	SHIPPING WEIGHT
760PS	30 ton	Steel	1,765 lb
760PA	30 ton	Aluminum	820 lb



Optional Equipment WEIGHT INDICATORS

Extend your 760 axle load scale's weighing capabilities with one of Cardinal Scale's versatile product line of digital weight indicators.



Battery-operated
P150 printer

STORM

Cardinal's 215 Storm indicator features printer connectivity for label ticketing.



225 NAVIGATOR

Cardinal's 225 Navigator indicator is even more versatile and can weigh up to 4 axles simultaneously.



Cardinal Scale reserves the right to improve, enhance or modify features and specifications without prior notice. All registered trademarks are the property of their respective owners.

Cardinal
Cardinal Scale Manufacturing Co.
203 E. Daugberty, Webb City, MO 64870 USA
Pb: 417-673-4631 or 800-441-4237 • Fax: 417-673-5001
www.CardinalScale.com

SOLD BY:

INCREASING YOUR PRODUCTIVITY
DACO
MATERIAL HANDLING & PACKAGING SOLUTIONS
www.DACOCorp.com
800-345-3226