



**Up to 10 ft.
mounting
height**

Powered Aire Model

BCT

Stainless Steel Construction !

3/4 HP direct drive motors

**Mount on interior for Insect
and Climate Control**

**Mount on exterior for
Insect Control**

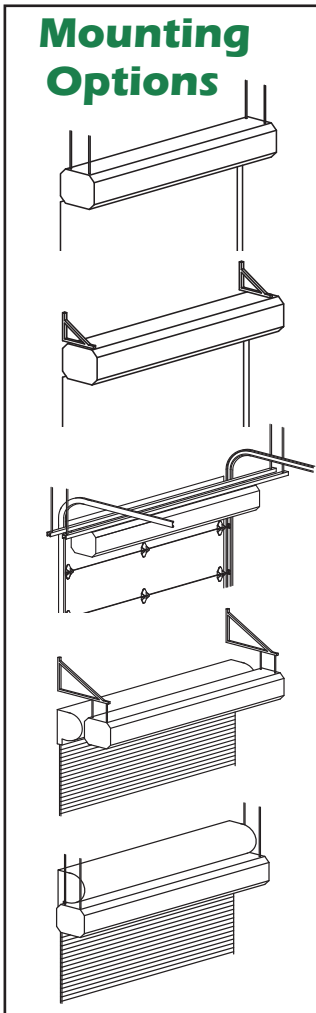


PRODUCT DATA SINGLE SPEED UNITS

Model	BCT 1-36	BCT 1-42	BCT 1-48	BCT 1-60	BCT 2-60	BCT 2-72	BCT 2-84	BCT 2-96	BCT 3-108	BCT 3-120	BCT 3-132	BCT 4-144
Nozzle width inches	36	42	48	60	60	72	84	96	108	118	133	145
Max. FPM at Nozzle	4218	4218	4218	4218	4218	4218	4218	4218	4218	4218	4218	4218
Max. CFM at Nozzle	2899	3384	3867	4374	5050	5803	6766	7732	8702	9668	10853	11606
Avg. FPM at Nozzle	3695	3169	2771	2218	3315	3696	3169	2773	3702	3174	2792	3696
CFM at Nozzle	2541	2532	2559	2528	3812	5082	5063	5081	7623	7614	7589	10164
Outlet Velocity Uniformity	95%	93%	92%	91%	95%	95%	93%	92%	95%	94%	95%	95%
Number of Motors	1	1	1	1	2	2	2	2	3	3	3	4
Horse Power per motor	3/4	3/4	3/4	3/4	3/4	3/4	3/4	3/4	3/4	3/4	3/4	3/4
Weight (Lbs)	90	97	104	117	147	169	187	203	245	274	290	338

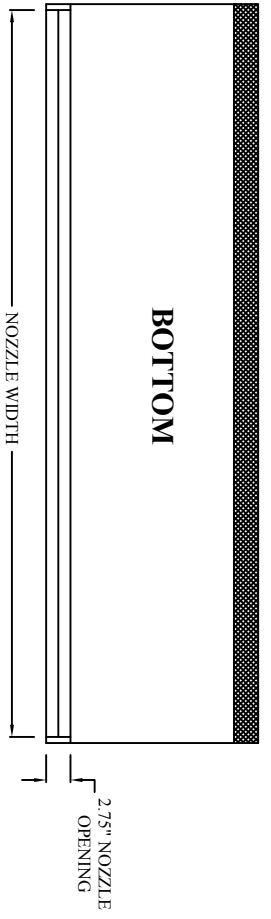
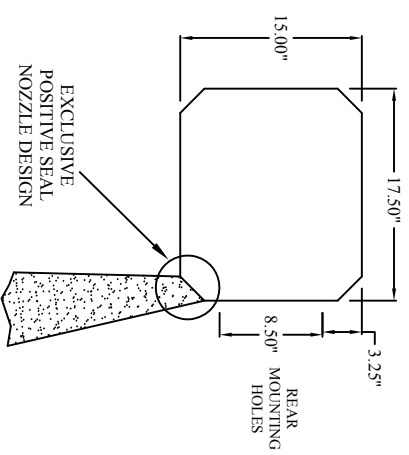
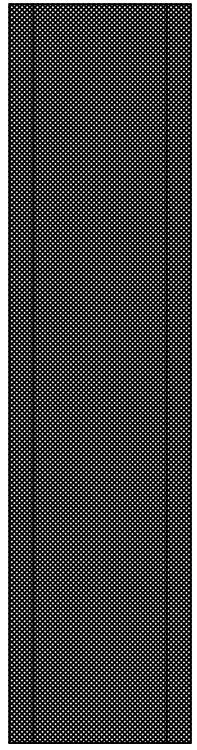
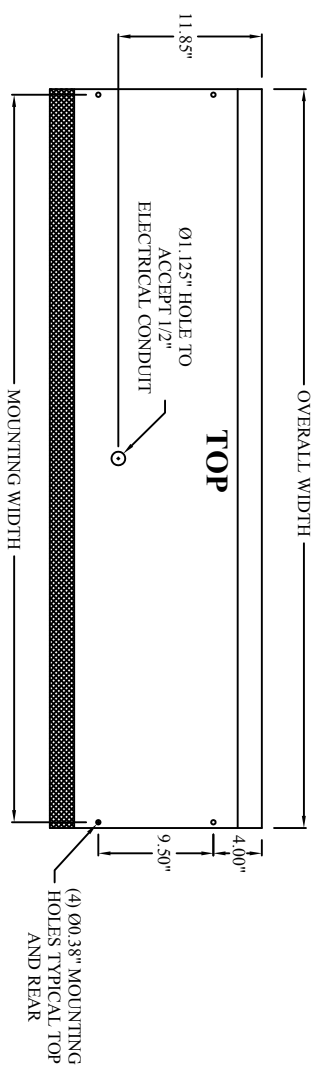
Sound Level: 63 dba / Sound level measured 10 ft. from the unit in a free field based on a one-motor unit.

Single Phase Motor Voltage Available:	120	208/230	480	575
Amp Draw Per Motor:	8.0	3.6	2.0	1.5



For information contact: DACO Corp. at 800-345-3226

BCT



MODEL NUMBER	BCT	BCT	BCT	BCT	BCT	BCT	BCT	BCT	BCT	BCT	BCT	BCT	BCT	BCT										
1-36	1-42	1-48	1-60	2-60	2-72	2-84	2-96	3-108	3-120	3-132	4-144	36 1/16	42 1/16	48 1/16	60 1/16	60 1/16	72 1/16	84 1/16	96 1/16	108 1/16	118 1/16	133 1/16	145 1/16	
37	43	49	61	61	73	85	97	109	119	134	146													
36	42	48	60	60	72	84	96	108	118	133	145													
NOZZLE WIDTH																								
MOUNTING WIDTH																								

JOB NAME : _____ TAG(S) : _____

LOCATION : _____ MODEL # : _____

CONTRACTOR : _____ ENGINEER : _____

POWERED AIRE™ INC.
109 Mortensen Rd. Greenville, PA 16125

DATE: 03/01/11
DRAWN BY: B.K.J.
PART/FILE# BCT

PART DESCRIPTION:
POWERED AIRE SYSTEMS
MODEL BCT BUG CONTROL UP
TO TEN FEET HIGH

