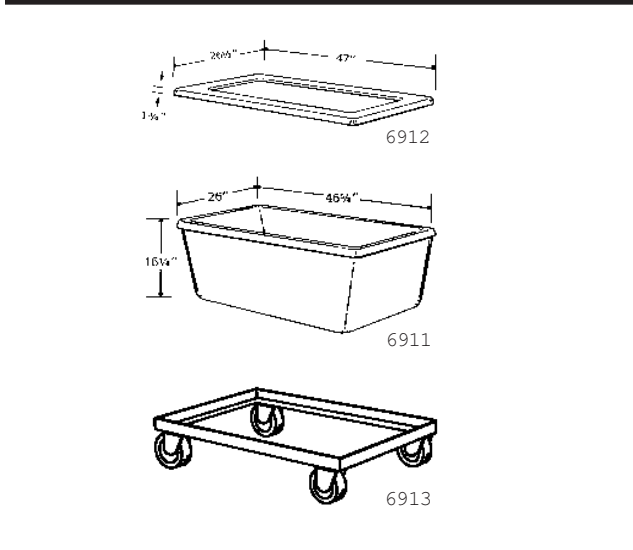


Model #	Description	Wt. (lbs)	W x L x H (plus capacity)	Characteristics:	Applications & Markets
6901	Tub	31.0	31.0 30.5" x 54.7" x 20.6"	<ul style="list-style-type: none"> • High density polyethylene • Meets all FDA and USDA specifications • Available in colors upon request (minimum order quantities required) • Drain plug and slide valve available 	<ul style="list-style-type: none"> • Meat, seafood and poultry • Commercial fishing • Candy • Bakeries • Dairy farms (grain) • Storage
6905	Tub with 1" drain plug	31.0	30.5" x 54.7" x 20.6"		
6907	Tub with 3" slide valve	32.0	30.5" x 54.7" x 20.6" 1,000 lb. capacity 13.7 cubic ft. 11-bushel 102.5 US gallons		
6902	Lid	15.0	31" x 55.5" x 2"	<ul style="list-style-type: none"> • High density polyethylene 	
6903	Regular undercarriage (galvanized)	69.0	15.5" (height)	<ul style="list-style-type: none"> • Caster wheels impervious to meat fat • Caster bearings equipped with grease fittings • Available in galvanized and stainless steel frames • Replacement casters and wheels available 	
6906	Stainless steel undercarriage	58.0	15.5" (height)		
6904	Low undercarriage (galvanized)	105.0	7.5" (height)		



Model #	Description	Wt. (lbs)	W x L x H (plus capacity)	Characteristics:	Applications & markets
6911	Tub	21.0	26" x 46.6" x 16.2"	<ul style="list-style-type: none"> • High density polyethylene • Meets all FDA and USDA specifications • Available in colors upon request (minimum order quantities required) • Drain plug available 	<ul style="list-style-type: none"> • Meat, seafood and poultry • Commercial fishing • Candy • Bakeries • Dairy farms (grain) • Storage
6915	Tub with drain plug	21.0	26" x 46.6" x 16.2" 560 lb. capacity 10 cubic ft. 8-bushel 70 US gallons		
6912	Lid	11.0	26.5" x 47" x 1.7"	<ul style="list-style-type: none"> • High density polyethylene 	
6913	Undercarriage	60.0	7.2" (height)	<ul style="list-style-type: none"> • Caster wheels impervious to meat fat • Caster bearings equipped with grease fittings • Galvanized steel frames • Replacement casters available 	