

A hand wearing a white glove is shown holding a vertical strip of material, possibly a curtain or fabric, against a dark background with vertical lines. The hand is positioned on the right side of the frame, with the fingers gripping the strip. The background is a dark, textured surface with several vertical lines running through it, suggesting a clean room or laboratory setting.

TRAX

CLEAN ROOM
CURTAINS

TRAX CLEAN ROOM CURTAINS

TRAX Clean Room Curtains are the preferred way to keep sensitive work areas free of contaminants. They are made up of a variety of different materials and attachment methods depending on your specific requirements.

SOFTWALL PANELS

As the name implies, Softwall Panels are a solid yet flexible vinyl curtains that function as walls or room dividers in a clean room environment. Smaller softwalls, commonly used to insure laminar flow over sensitive work areas that do not require personal accessibility, are sometimes known as Air Flow Shields. Both Softwall Panels and Air Flow shields are generally made of 20 mil vinyl with weighted bottoms, or 40 mil vinyl with non-weighted bottoms.

Softwall Panels can be attached with our new SealTech system or by one of four other attachment systems offered by TRAX: Dual-Lock, Vinyl Welt, Nut & Bolt, or Sliding Track.

ANTI-STATIC

Not all anti-static curtains are created equal. Any material that reduces electrostatic discharge can be referred to as anti-static, but the degree of performance of these so called anti-static curtains can vary greatly. TRAX offers the best in anti-static curtains, using only materials that have been tested ESD Safe. TRAX does not use topically treated anti-static materials that can wear away.



In addition to ESD Safe materials, TRAX also offers materials that meet or exceed the flame spread requirements of UBC Class 1 and NFPA Class A. Non-Outgassing materials can also be provided.



The **SEAL TECH** System will likely be the most exciting improvement to the clean room curtain industry that you will ever experience. It's considered to be far and away the best attachment method available anywhere.

Installation Is A Snap!

This innovative new hardware makes installation and panel replacement simple. Once the mounting channel is anchored to either ceiling or wall no further nuts and bolts are required! The extruded vinyl hook on top of each curtain is secured to the mounting channel by the matching fascia plate.

The **SEAL TECH** system works equally well for Softwalls or Strip Curtains up to 80 mil thickness.

The SEAL TECH System is Strength, Durability, Versatility, Convenience, Affordability, and High-Tech Appearance all rolled into one!



TRAX A VARIETY OF CURTAIN STYLES



STRIP SHIELDS

TRAX Strip Shields are a unique product made by attaching 40 or 60 mil strips ranging from 4" to 24" wide to a continuous piece of Dual-Lock. This 'one-panel' design produces a preassembled strip curtain that is extremely easy to install.

TRAX Strip Shields are ideal for any area where there is a need for personnel accessibility. They make excellent entry ways for softwall clean rooms.



STRIP CURTAINS

TRAX Strip Curtains are made of heavy duty individual 8" wide, 80 mil strips available in a variety of colors and formats. They are used in applications where there is a great deal of personnel and/or light cart traffic in and out of a particular area. 80 mil Strip Curtains are extremely durable, resist tearing, and outlast strip curtains made of lighter materials.

All **TRAX** Strip Curtains are provided with pre-drilled anodized aluminum mounting angle and attachment hardware. The strips are pre-punched to match the holes in the mounting angle and are attached to the angle with nut, bolt, and washer sets.

TRAX now also offers Strip Curtains in 40 mil and 60 mil formats in strip widths ranging from 6" to 24".



SLIDING TRACK CURTAINS

TRAX Sliding Track Curtains are made for applications which require movable curtains. The curtain assembly consists of hangers suspended from trolleys which roll inside a special anodized aluminum c-channel. Hangers then hook through grommets located at the top of the curtain.

As with all **TRAX** curtains these are available in a wide variety of colors including red, yellow, opaque white and black, and clear. Anti-Static, ESD Safe, conductive, and non-outgassing are also available.



ACCORDION STYLE CURTAINS

TRAX Accordion Style Curtains are the newest way to effectively partition or enclose any area within your work environment. The sliding track hardware assembly allows the curtain to move easily into place when needed. When not in use, the curtain requires very minimal storage space due to its unique folding panels.

Valance curtains are available for both accordion style and standard sliding track curtains to help provide light safe environments when necessary.

TRAX CLEAN ROOM PRODUCTS



The **SEAL-TECH** System will likely be the most exciting improvement to the cleanroom curtain industry that you will ever experience. We feel it's far and away the best attachment method available anywhere.



The **SEAL-TECH** system works equally well for Softwalls or Strip Curtains, up to 80 mil thickness. Contact a TRAX representative for more information.

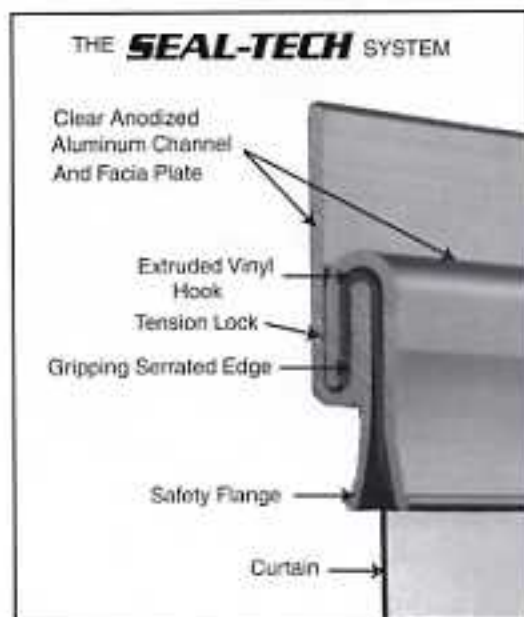
The SEAL-TECH System is Strength, Durability, Versatility, Convenience, Affordability, and High-Tech Appearance all rolled into one!

TRAX Industrial Products
P.O. Box 2089 Loomis, CA 95650
800-248-8729 (TRAX)



Installation Is A Snap!

This innovative new hardware makes installation and panel replacement simple. Once the mounting channel is anchored to either ceiling or wall no further nuts and bolts are required! The extruded vinyl hook on top of each curtain is secured to the mounting channel by the matching fascia plate.



PATENT PENDING

TRAX Accordion Style Curtains



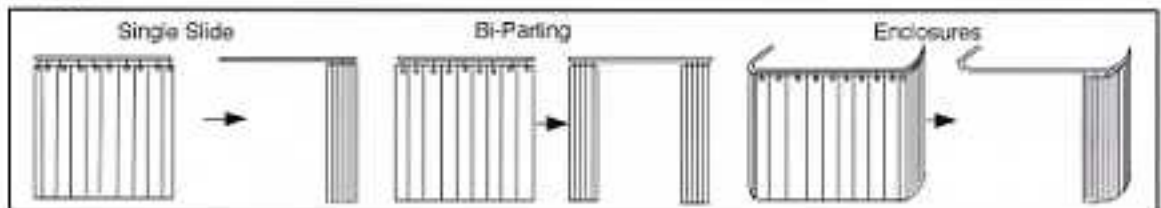
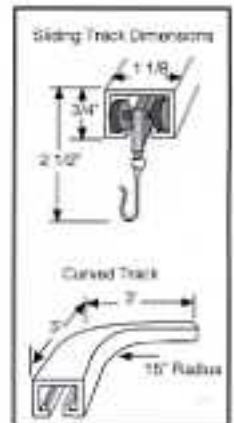
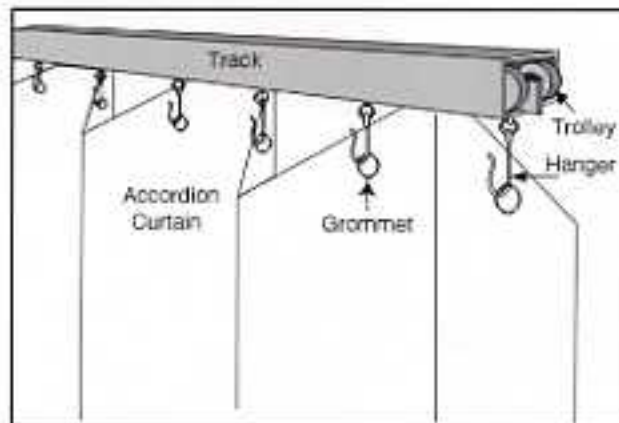
TRAX Accordion Style curtains are the newest way to effectively partition or enclose any area within your work environment.

The sliding track hardware assembly allows the curtain to move easily into place when needed. When not in use, the curtain requires very minimal storage space due to its unique folding panels.

These curtains provide an effective barrier against a wide variety of adverse conditions including dust, noise, light, and fumes.

These versatile curtains are available in a wide variety of colors including clear, red, yellow, opaque white, and opaque black. ESD Safe, conductive, and/or non-outgassing materials can also be provided.

Below are examples of various configurations in which the **TRAX** Accordion Style Vinyl Curtains can be utilized.



VERSATILE & EFFECTIVE!

TRAX Industrial Products
P.O. Box 2089
Loomis, CA 95650
800-248-8729 (TRAX)

Distributed By:

DACO
(877) 247-3834 - dacocorp.com

TRAX

CLEANROOM CURTAINS ATTACHMENT METHODS

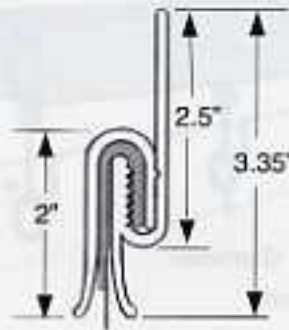
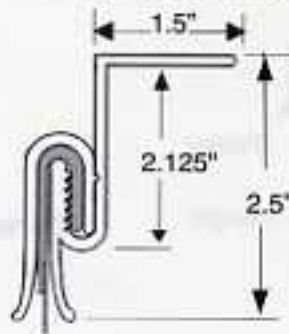
SEAL TECH

THE SEAL™ SYSTEM



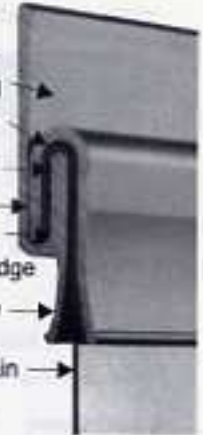
This innovative hardware makes installation simple. Once the mounting channel is anchored, no further nuts and bolts are required! The extruded vinyl hook on top of each curtain is secured to the mounting channel by the matching facia plate. This system works equally well for Softwalls or Strip Curtains, up to 80 mil thickness.

Ceiling Mount Extrusion



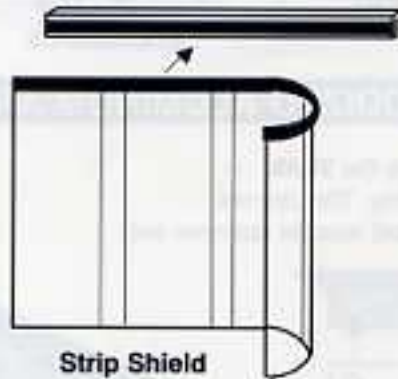
Wall Mount Extrusion

Clear Anodized Aluminum Channel and Facia Plate
Extruded Vinyl Hook
Tension Lock
Gripping Serrated Edge
Safety Flange
Curtain

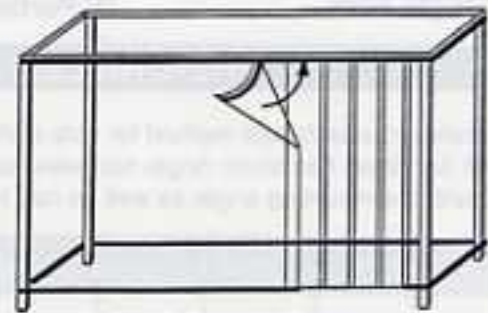


DUAL-LOCK

By far one of the most effective attachment methods available, the **TRAX** Dual-Lock system combines the convenience of easy installation with strength and durability. It's clean appearance is also a favorable benefit.



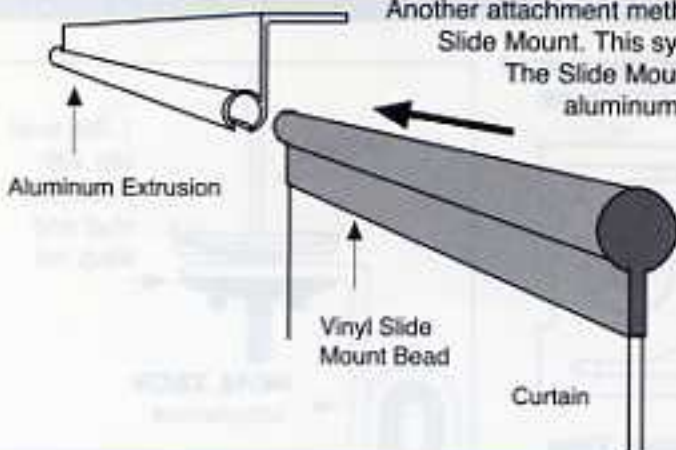
Strip Shield



Softwall Curtain System

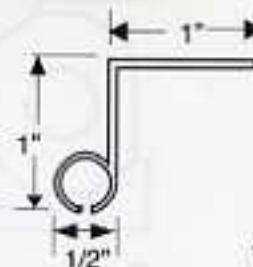
Dual-Lock, a 3M product, is a 1" wide non-particulating velcro type material that is sewn on to both the **TRAX** Softwall Panels, and Strip Shields. An included mated piece would then attach directly to an existing mounting surface, or to our optional anodized aluminum angle (as shown).

SLIDE MOUNT WITH ALUMINUM EXTRUSION



Another attachment method noted for its convenience and cosmetic appeal is the **TRAX** Slide Mount. This system is also available on both our Softwall Panels and Strip Shields. The Slide Mount beaded edge slides easily into either wall mount, or ceiling mount aluminum extrusion hardware.

Ceiling Mount Extrusion



Wall Mount Extrusion

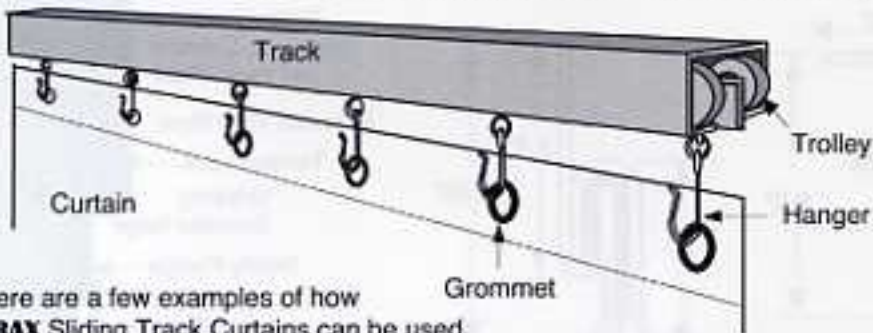


TRAX

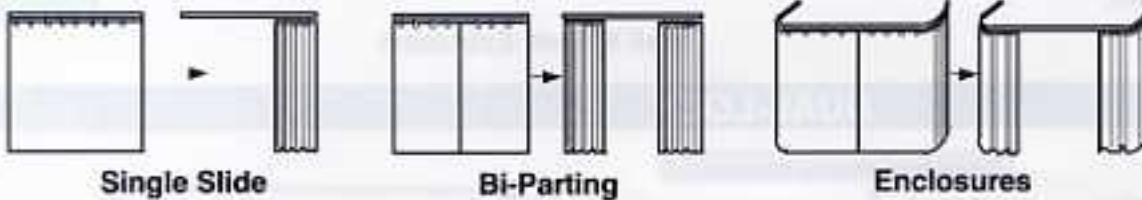
CLEANROOM CURTAINS ATTACHMENT METHODS

SLIDING TRACK HARDWARE

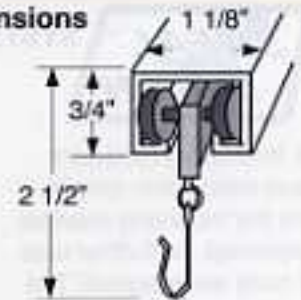
The **TRAX** Sliding Track attachment method is available for applications which require a movable curtain. These curtains are available in a wide variety of materials and styles including our pleated "Accordion Style" sliding curtains.



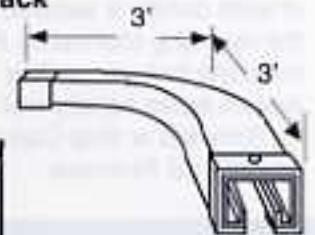
Here are a few examples of how **TRAX** Sliding Track Curtains can be used.



Dimensions

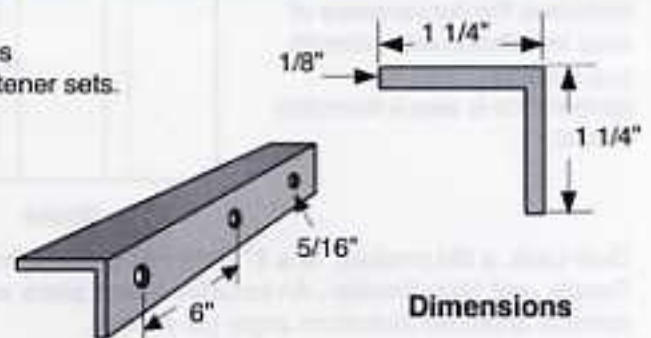
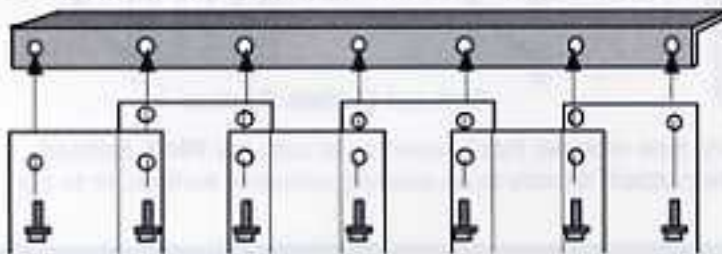


Curved Track



PRE-DRILLED ANODIZED ALUMINUM ANGLE

Another preferred attachment method for strip curtains is the **TRAX** Pre-Drilled Anodized Aluminum Angle hardware assembly. This comes complete with the mounting angle as well as nut, bolt, and washer fastener sets.



Dimensions

CADDY TWIST CLIPS

For attaching curtains to a T-bar ceiling without drilling into it, the preferred method is **CADDY** Twist Clips. They can be used with all **TRAX** ceiling mount hardware.



CADDY Clip made of spring steel



Top View



Bottom View

